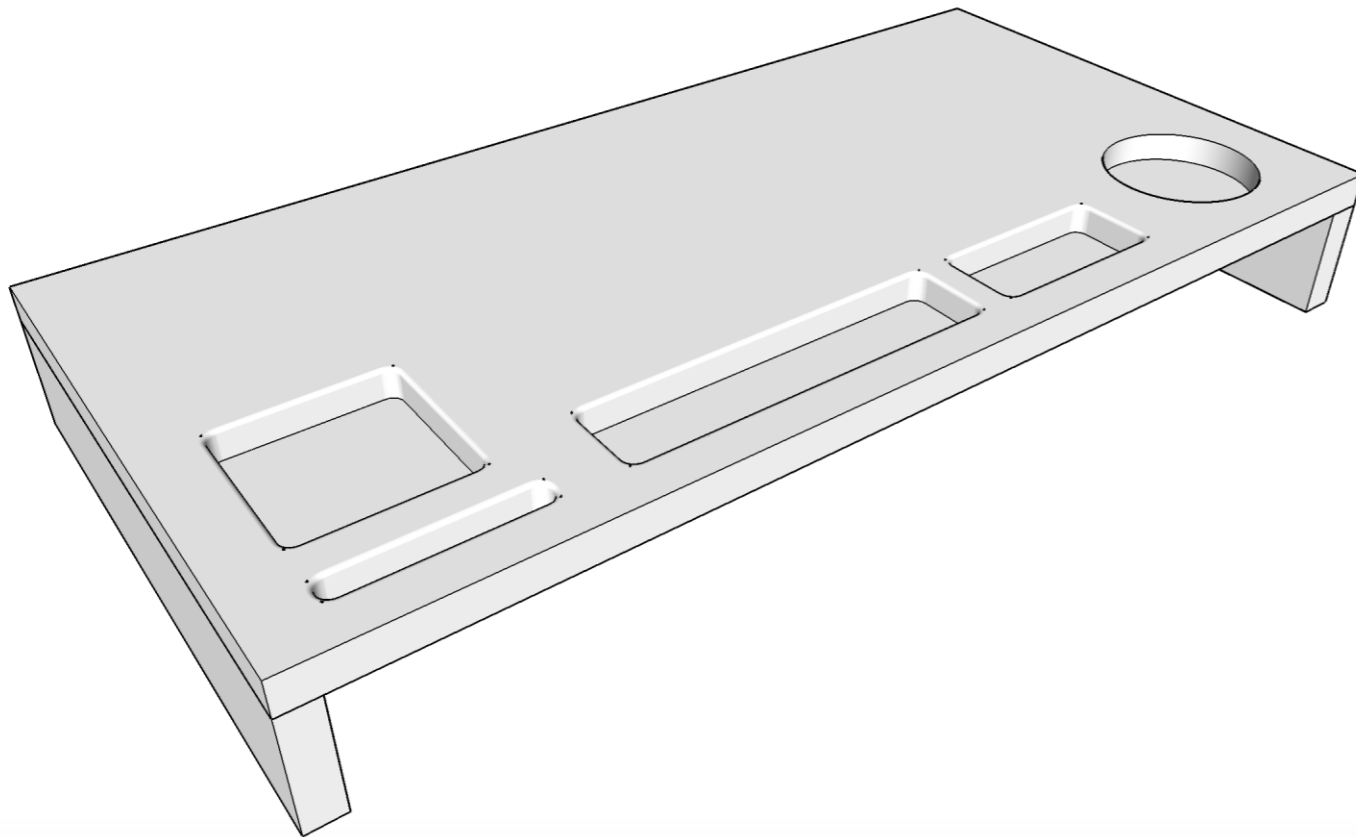


Plan For A Desk Organizer



- saves a lot of space on your desk
- covers a keyboard and mouse
- holds space for smartphone, cup
- and office accessories

—> Watch the whole build at <https://youtu.be/HmCLIVEW6M0>



SHARENICETHINGS

DIY - Video Tutorials - Plans - Reviews - Cool Stuff

Notes about this project

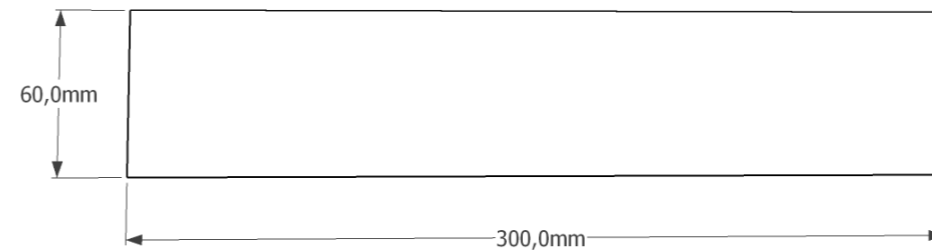
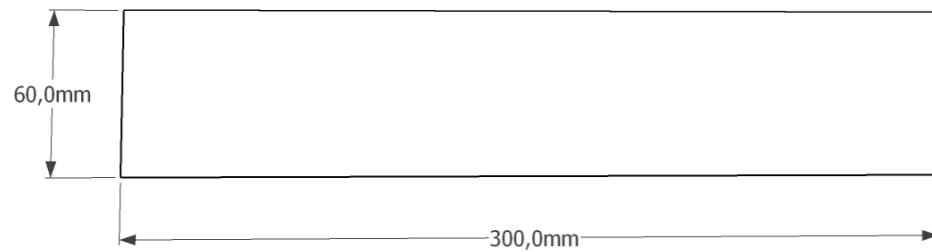
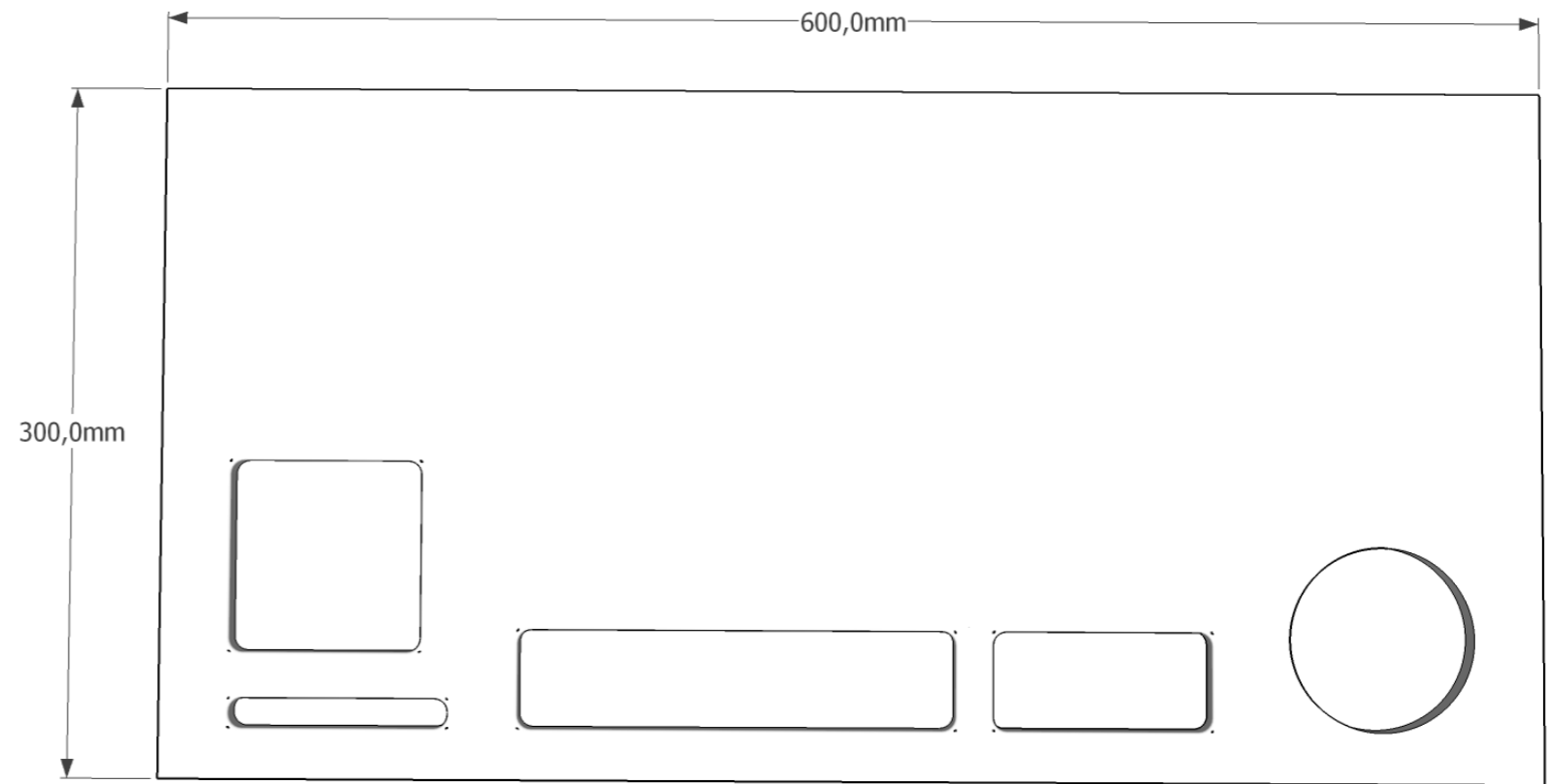
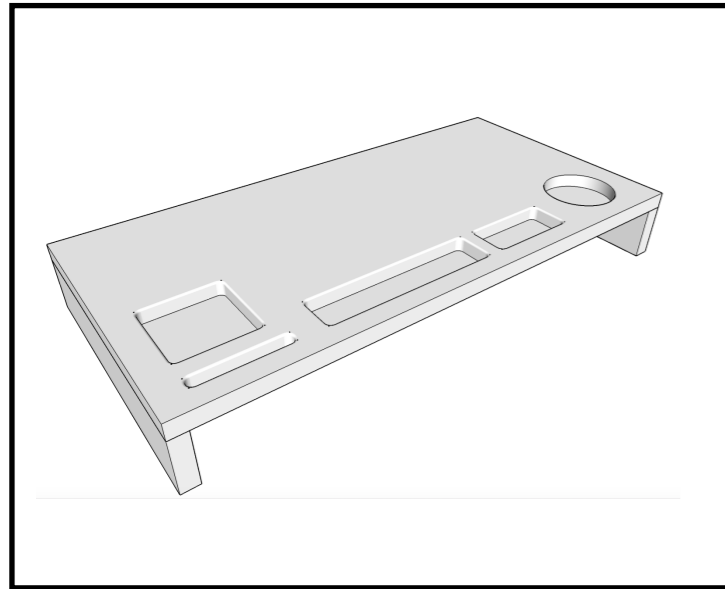
- all panels consist of 18mm beech
- depth of all routings is about 14mm
- all joints are made by biscuit joints
- it is recommended to build a template first
- for templates just glue straight wooden bricks to squares, the router will do all curves



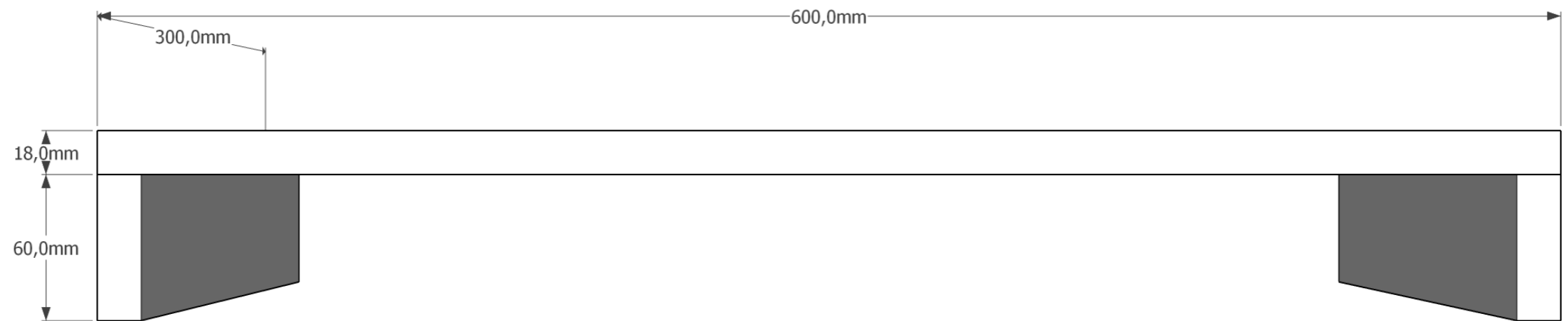
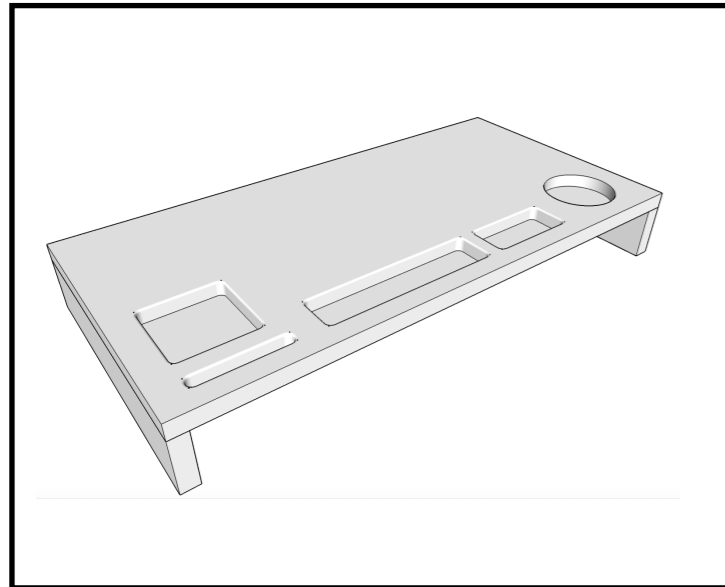
SHARENICETHINGS

DIY - Video Tutorials - Plans - Reviews - Cool Stuff

Topview



Frontview



Frontview

